

Cooling Fan Specification

KHX-FAN-B

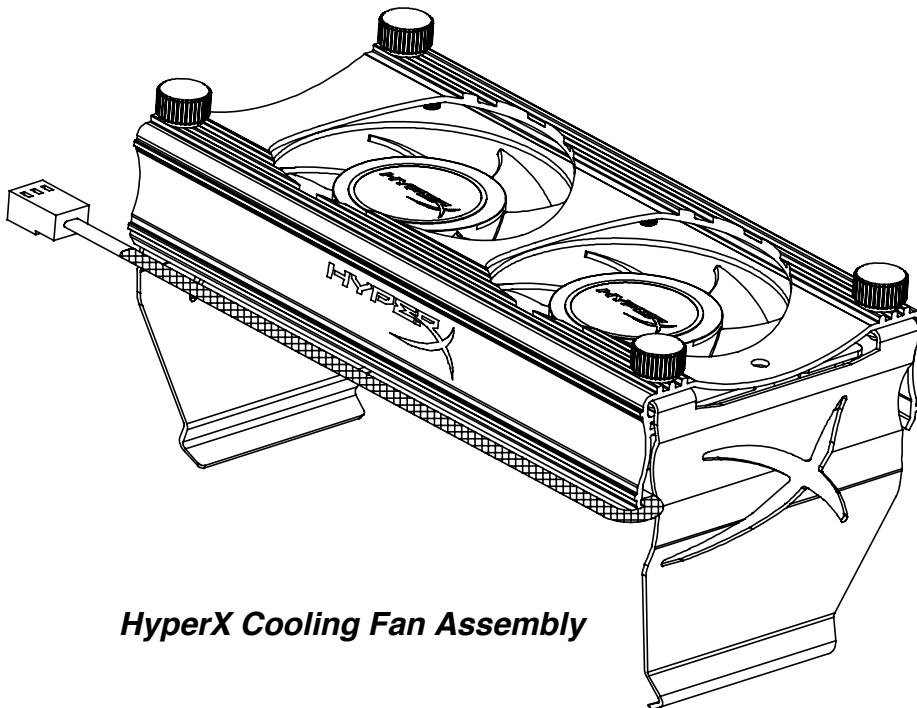
HyperX Cooling Fan Assembly (Black)

DESCRIPTION

This document describes Kingston's HyperX memory module cooling fan assembly. If you are looking to maximize the performance potential of your HyperX memory... this is it. With twin fans focusing air directly onto your HyperX modules, your modules will run cooler, even in the most demanding environments. The mechanical and electrical specifications are as follows:

SPECIFICATIONS

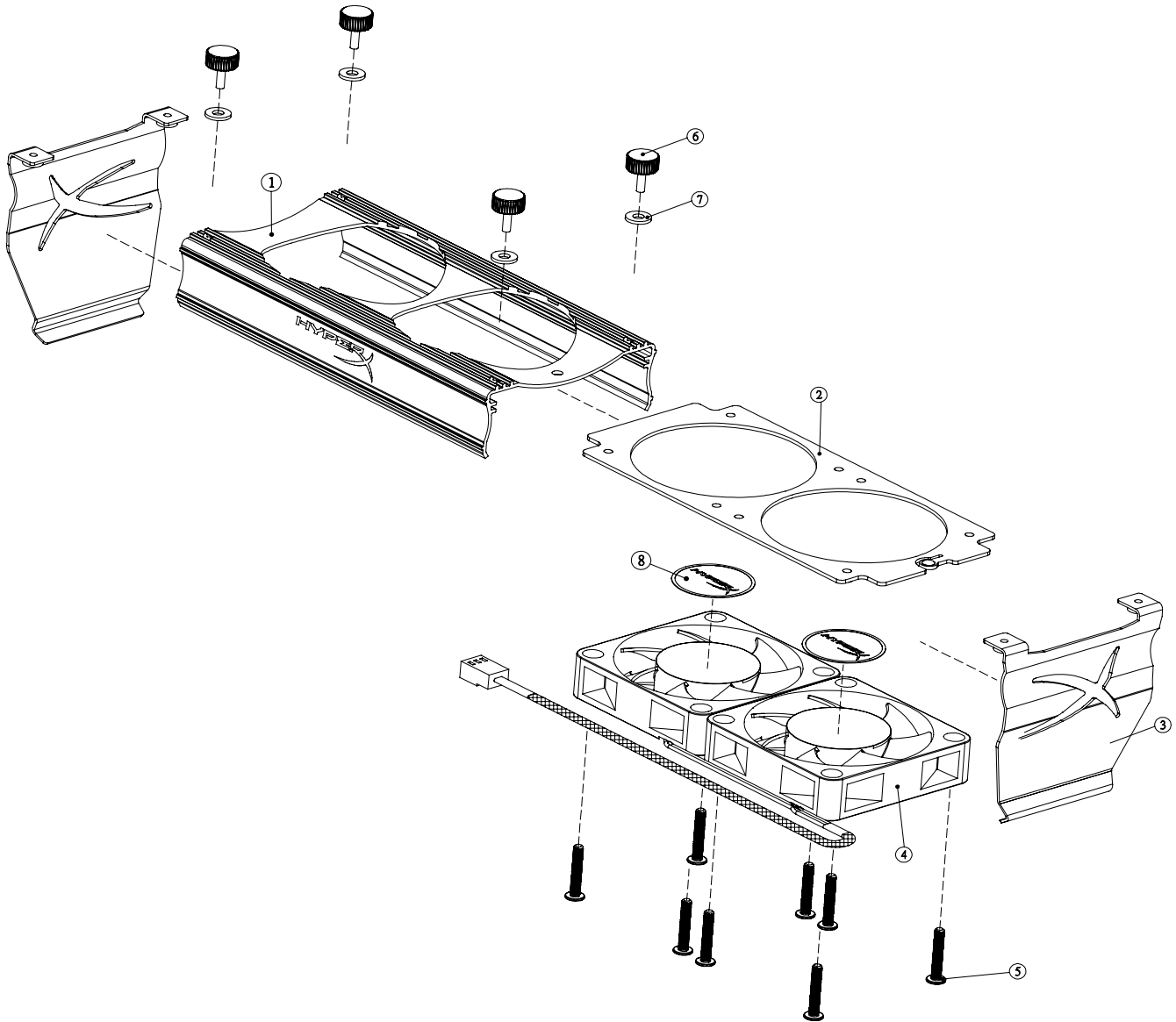
Rated Voltage	12 VDC
Operational Voltage	8 - 13.5 VDC
Input Current	0.09 amp
Input Power	1.08 watt
RPM	3000 ± 10%
Speed Control Type	
Signal Output	Frequency Generator (FG)
Max. Air Flow At Zero Static Pressure	0.43 m ³ /min 15.02 CFM
Max. Air Pressure At Zero Flow	2.31 mm-H ₂ O 0.09 inch-H ₂ O
Accoustical Noise	25 (28 max.) dB-A



HyperX Cooling Fan Assembly

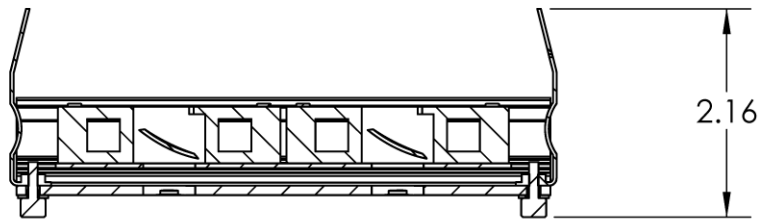
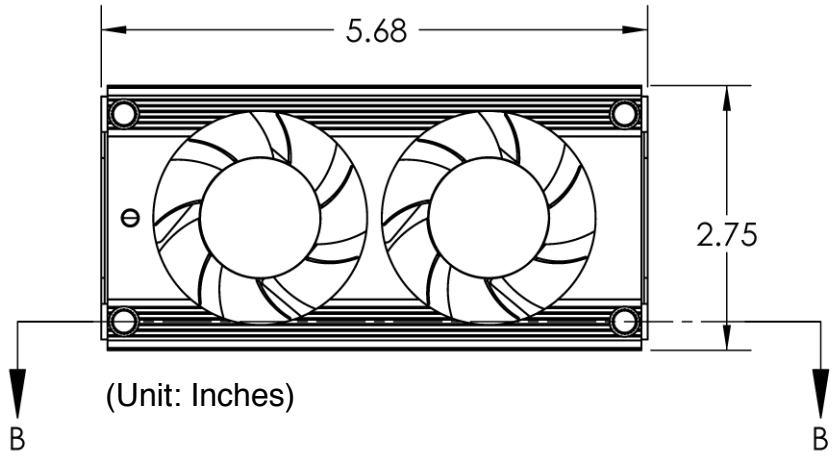
Continued >>

ASSEMBLY:

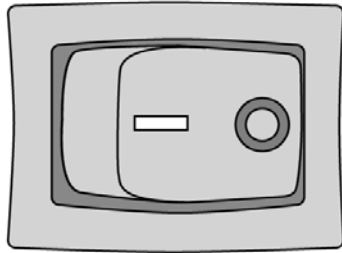


Continued >>

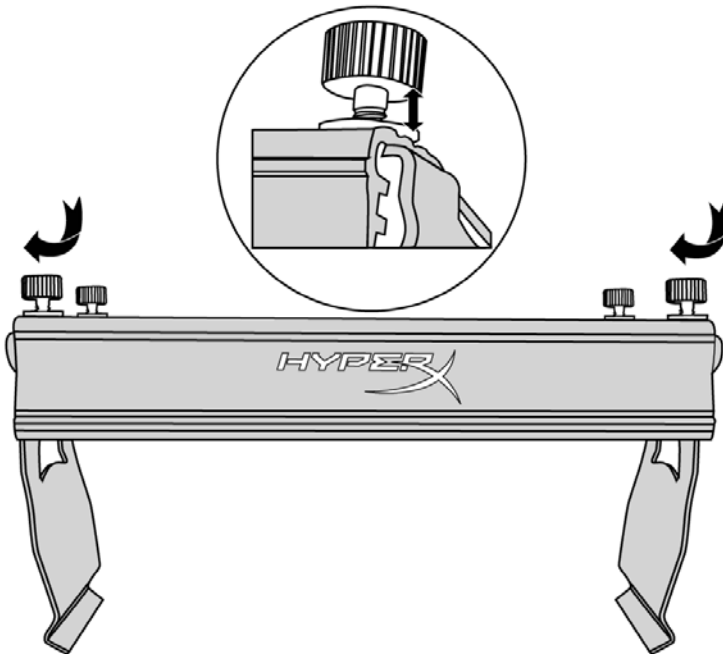
DIMENSIONS:



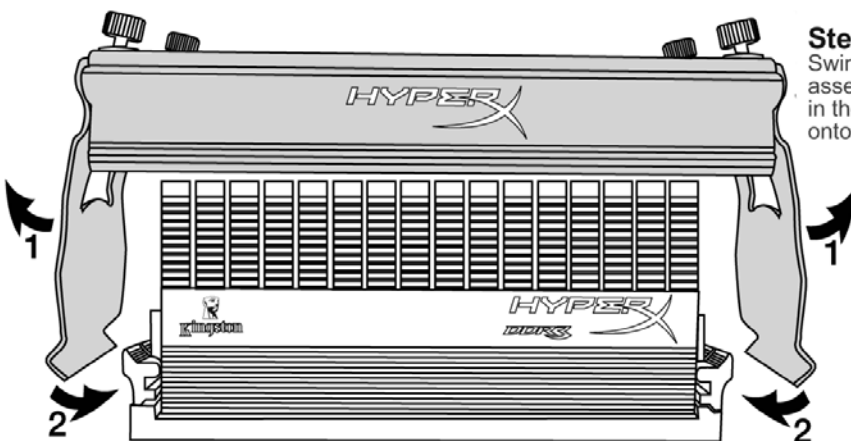
INSTALLATION:



Step #1:
Power the computer system off, disconnect the AC power cord and remove the computer cover.



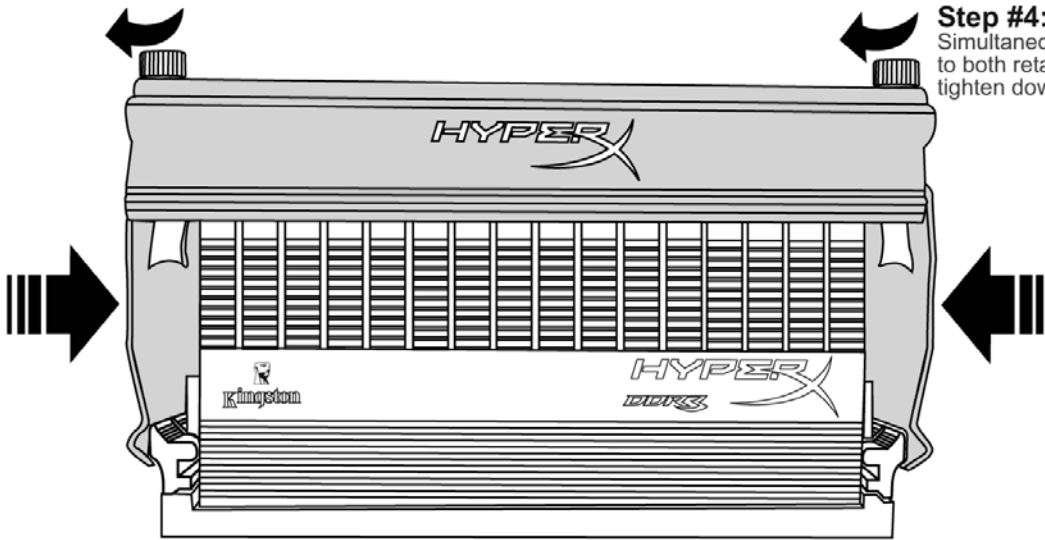
Step #2:
To assemble the HyperX fan, secure the two side brackets with the four thumb screws / washers. Do not tighten the screws completely!



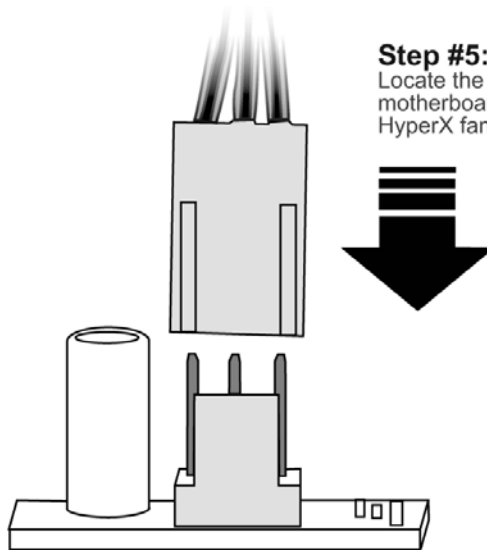
Step #3:
Swing the retaining brackets open and slide the assembly over the HyperX modules as shown in the illustration. Rest the base of the brackets onto the memory socket lock tabs.

Continued >>

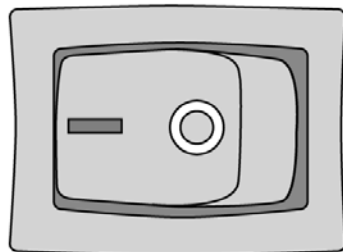
INSTALLATION (cont.):



Step #4:
Simultaneously apply pressure to both retaining brackets and tighten down all four thumb screws.



Step #5:
Locate the fan power source on the motherboard and connect the HyperX fan power cable.



Step #6:
Reconnect the AC power cord and power up the computer to verify fan operation. Replace the computer cover.

FOR MORE INFORMATION, GO TO WWW.KINGSTON.COM

All Kingston products are tested to meet our published specifications. Some motherboards or system configurations may not operate at the published HyperX memory speeds and timing settings. Kingston does not recommend that any user attempt to run their computers faster than the published speed. Overclocking or modifying your system timing may result in damage to computer components.