

## KVR667D2N5K2/8G

**8GB (4GB 512M x 64-Bit x 2 pcs.) DDR2-667  
CL5 240-Pin DIMM Kit**

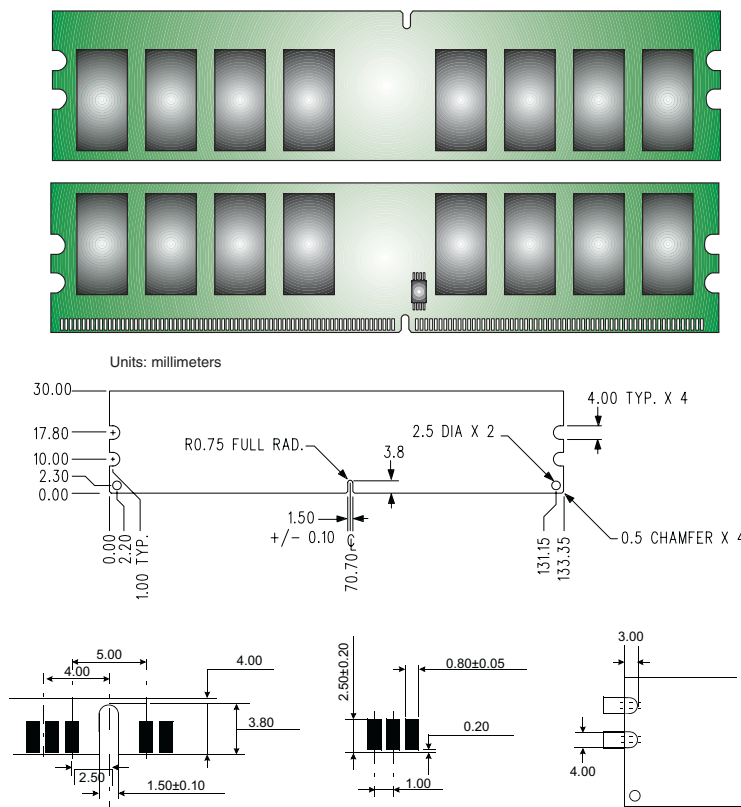
### DESCRIPTION:

ValueRAM's KVR667D2N5K2/8G is a kit of two 512M x 64-bit 4GB (4096MB) DDR2-667 CL5 SDRAM (Synchronous **DRAM**) memory modules. Total kit capacity is 8GB (8192MB). The components on each module include sixteen 256M x 8-bit DDR2-667 SDRAM in FBGA packages. Each 240-pin DIMM uses gold contact fingers and requires +1.8V. The electrical and mechanical specifications are as follows:

### FEATURES:

✓ Clock Cycle Time (tCK) CL=5	3ns (min.) / 8ns (max.)
✓ Row Cycle Time (tRC)	60ns (min.)
✓ Refresh to Active/Refresh Command Time (tRFC)	195ns
✓ Row Active Time (tRAS)	45ns (min.) / 70,000ns (max.)
✓ Single Power Supply of	+1.8V (+/- .1V)
✓ Power	2.088 W (operating per module)
✓ UL Rating	94 V - 0

**Note:** The module defined in this data sheet is one of several configurations available under this part number. While all configurations are compatible, the DRAM combination and/or the module height may vary from what is described here.



**Figure 1: KVR667D2N5K2/8G 240-Pin DIMM**